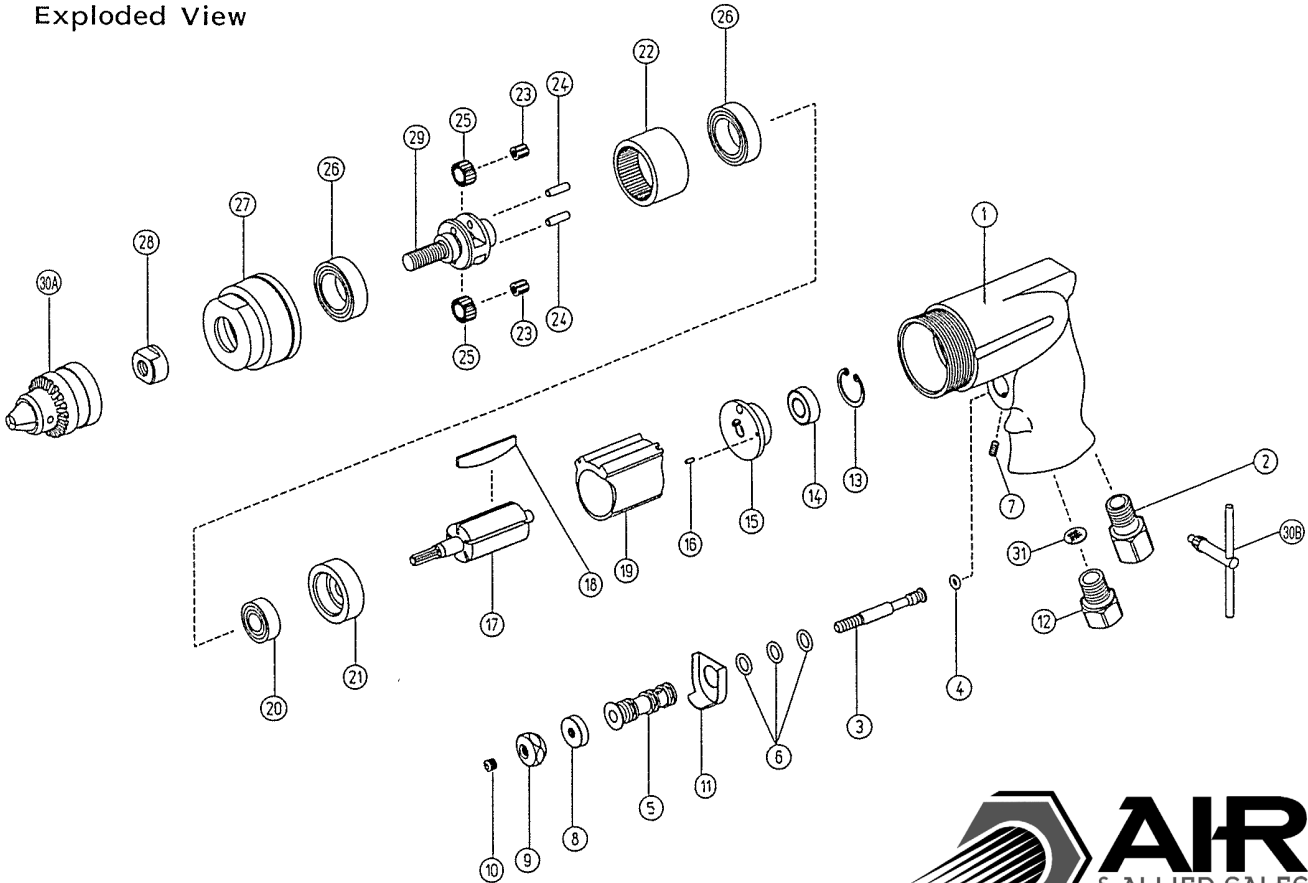


## MODEL MD-10L

Exploded View



Parts List : Y5 - 01 - 12

[www.air-allied.com.au](http://www.air-allied.com.au)

Symbol No.	Parts No.	Q'ty Req.	Description	Symbol No.	Parts No.	Q'ty Req.	Description
1	Y50112010	1	Casing	17	Y50110190	1	Rotor
1A	Y5011201A	1	Casing CP	18	Y50110200	5	Vane
2	Y50110020	1	Air Inlet Bush	19	Y50112210	1	Cylinder
3	Y50112030	1	Throttle Valve	20	Y50110220	1	Bearing 608Z
4	Y50110040	1	O-Ring P-4	21	Y50110230	1	Front End Plate
5	Y50112050	1	Throttle Valve Bush	22	Y50110240	1	Gear Rim
6	Y50110060	3	O-Ring P-8	23	Y50110250	2	Bearing KT-477
7	Y50110080	1	Hex Bolt M4×8	24	Y50110260	2	Axcel Pin
8	Y50110090	1	Lock Nut	25	Y50110270	2	Gear Wheel
9	Y50110100	1	Trigger	26	Y31122310	2	Bearing 6002Z
10	Y50110110	1	Set Screw	27	Y50110290	1	Front Part
11	Y50112110	1	Throttle Valve Guide	28	Y50110300	1	Spacer
12	Y50110140	1	Silencer	29	Y50110310	1	Planet Shaft
13	Y50110150	1	Snap Ring H-19	30	Y50110320	1	Chuck CP (No.30A, 30B)
14	Y50110160	1	Bearing 626Z	30A	Y5011032A	1	Chuck
15	Y50110170	1	Rear End Plate	30B	Y5011032B	1	Chuck Key
16	Y50110180	1	Spring Pin 2×5	31	Y50112310	1	Filter